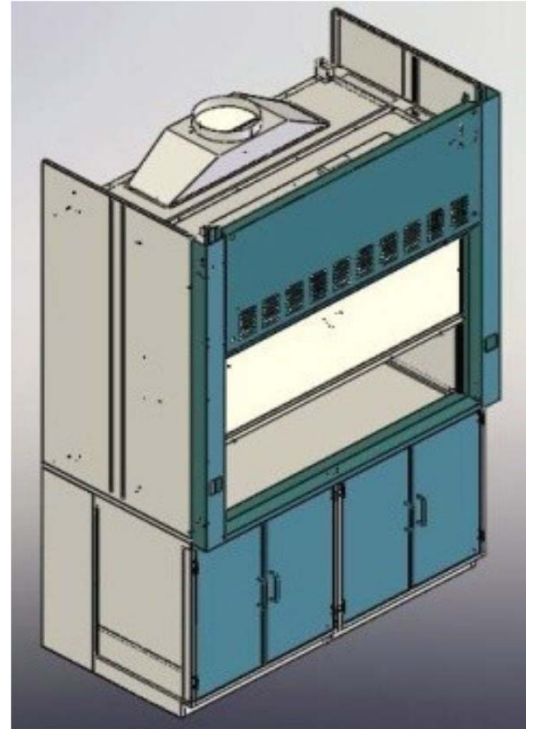


General Fumehood 4ft

Model: FH120

- Ext Dimensions: 1200x850x2350mmWxDxH
- Double wall steel with anticorrosion epoxy powder coating
- Inner: Compact Board corrosive&heat resistant
- 5mm sliding safety glass, Dished Epoxy Resin Worktop
- Baffle&inner&worktop radiused corners
- LED lights, PP Cup sink,Tap,x4 Electrical Outlets
- Base Cabinet 850mmH Epoxy Resistant
- Airflow Controller for VAV LED
- Inflow Velocity: 0.50-0.75 m/s
- Commissioning of Fume Cupboard, 1hr
- Not INCLUDED: Ducting/ Roof top Fan,VSD,VAV not included
- 12mths Warranty



General Fumehood 5ft

Model: FH150

- Ext Dimensions: 1500x850x2350mmWxDxH

General Fumehood 6ft

Model: FH180

- Ext Dimensions: 1800x850x2350mmWxDxH



Optional
 Airflow Display and controller of VAV

